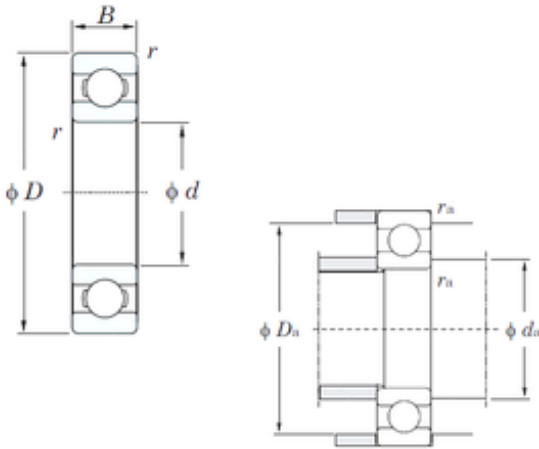




LWB BEARING PRODUCTION CO., LTD.



6307 6300 6000zz 6006-18 Koyo 61805 Spherical Surface Ball Bearing

Bearing No. 6307

6307 Bearing 2D drawings and 3D CAD models

Size	35x80x21 mm
Bore Diameter	35 mm
Outer Diameter	80 mm
Width	21 mm
d	35 mm
D	80 mm
B	21 mm
C	21 mm
r min.	1,5 mm
da min.	43 mm
Da max.	72 mm
ra max.	1,5 mm
Weight	0,457 Kg
Basic dynamic load rating (C)	33,4 kN
Basic static load rating (C0)	19,3 kN
(Grease) Lubrication Speed	8500 r/min
(Oil) Lubrication Speed	10000 r/min
Category	Single Row Ball Bearings
Inventory	0.0
Manufacturer Name	KOYO
Minimum Buy Quantity	N/A
Weight / Kilogram	0.495
EAN	0605790075186
Product Group	B00308
Enclosure	Open



LWB BEARING PRODUCTION CO., LTD.

Precision Class	ABEC 1 ISO P0
Maximum Capacity / Filling Slot	No
Rolling Element	Ball Bearing
Snap Ring	No
Internal Special Features	No
Cage Material	Steel
Internal Clearance	C0-Medium
Inch - Metric	Metric
Long Description	35MM Bore; 80MM Outside Diameter; 21MM Outer Race Diameter; Open; Ball Bearing; ABEC 1 ISO P0; No Filling Slot; No Snap Ring; No Internal Special Features
Category	Single Row Ball Bearing
UNSPSC	31171504
Harmonized Tariff Code	8482.10.50.68
Noun	Bearing
Keyword String	Ball
Manufacturer URL	http://www.koyousa.com
Manufacturer Item Number	6307
Weight / LBS	1.09
Bore	1.378 Inch 35 Millimeter
Outer Race Width	0.827 Inch 21 Millimeter
Outside Diameter	3.15 Inch 80 Millimeter
Bearing No.	6307
r(min)	1.5
Cr	41.7
C0r	19.3
Cu	1.45
f0	13.2
Grease lub.	8500



LWB BEARING PRODUCTION CO., LTD.

Oil lub.	10000
da(min)	43
Da(max)	72
ra(max)	1.5
(Refer.)Mass(kg)	0.457