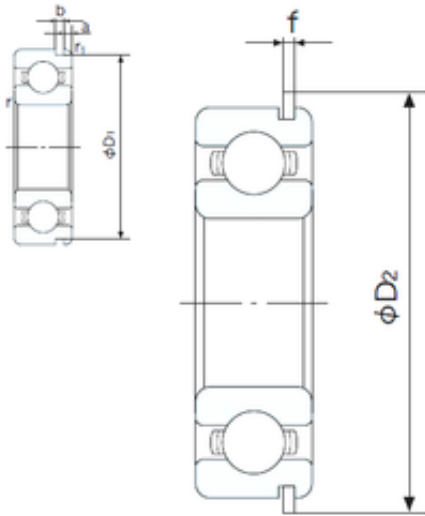




LWB BEARING PRODUCTION CO., LTD.



90 mm x 125 mm x 18 mm NACHI 6918NR
deep groove ball bearings

Bearing No. 6918NR

6918NR Bearing 2D drawings and 3D CAD models

Size	90x125x18 mm
Bore Diameter	90 mm
Outer Diameter	125 mm
Width	18 mm
d	90 mm
D	125 mm
B	18 mm
C	18 mm
a	3.3 mm
b	1.3 mm
f	1.12 mm
r min.	1.1 mm
r1 min.	0.5 mm
D1	122.6 mm
D2	130.7 mm
Weight	0.549 Kg
Basic dynamic load rating (C)	33 kN
Basic static load rating (C0)	31,5 kN
(Grease) Lubrication Speed	5000 r/min
Bore Type	Cylindrical Bore
Configuration	Single Row
Enclosure	Snap Ring Groove with Snap Ring
Bore Size	90 mm
Outside Diameter	125 mm



LWB BEARING PRODUCTION CO., LTD.

Width	18 mm
Fillet Radius/Chamfer	1.1 mm
r1	0.5 mm
Snap Ring Width	1.1 mm
Snap Ring Outside Diameter	130.7 mm
D1 (max)	122.6 mm
a (max)	3.3 mm
b (min)	1.3 mm
Dynamic Load Rating	33,000 N
Static Load Rating	31,500 N
Limiting Speed - Grease	5,100 rpm
Limiting Speed - Oil	6,000 rpm
Factor fo	16.4
Radial Clearance	0.012 to 0.036 mm
da (min)	96 mm
Da (max)	119 mm
Dx (min)	132 mm
ra (max)	1 mm
Cy (max)	4.1 mm