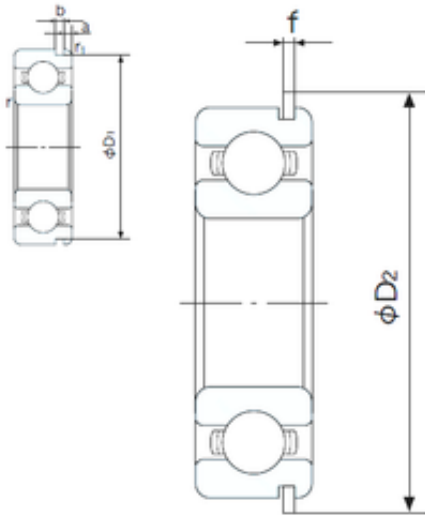




LWB BEARING PRODUCTION CO., LTD.



60 mm x 95 mm x 18 mm NACHI 6012NR deep groove ball bearings

Bearing No. 6012NR

6012NR Bearing 2D drawings and 3D CAD models

Size	60x95x18 mm
Bore Diameter	60 mm
Outer Diameter	95 mm
Width	18 mm
d	60 mm
D	95 mm
B	18 mm
C	18 mm
a	2.87 mm
b	2.7 mm
f	2.46 mm
r min.	1.1 mm
r1 min.	0.5 mm
D1	91.82 mm
D2	101.6 mm
Weight	0.403 Kg
Basic dynamic load rating (C)	29,4 kN
Basic static load rating (C0)	23,2 kN
(Grease) Lubrication Speed	7000 r/min
Category	Single Row Ball Bearings
Inventory	0.0
Manufacturer Name	NACHI
Minimum Buy Quantity	N/A
Weight / Kilogram	0
Product Group	B00308



LWB BEARING PRODUCTION CO., LTD.

Enclosure	Open
Precision Class	ABEC 1 ISO P0
Maximum Capacity / Filling Slot	No
Rolling Element	Ball Bearing
Snap Ring	Yes
Internal Special Features	No
Cage Material	Steel
Internal Clearance	C0-Medium
Inch - Metric	Metric
Long Description	60MM Bore; 95MM Outside Diameter; 18MM Outer Race Width; Open; Ball Bearing; ABEC 1 ISO P0; No Filling Slot; Yes Snap Ring; No Internal Special Features; C0-Medium Internal Clearance; Steel Cage
Other Features	Deep Groove With Snap Ring
Category	Single Row Ball Bearing
UNSPSC	31171504
Harmonized Tariff Code	8482.10.50.68
Noun	Bearing
Keyword String	Ball
Manufacturer URL	http://www.nachi-america.com
Inner Race Width	0 Inch 0 Millimeter
Bore	2.362 Inch 60 Millimeter
Outer Race Width	0.709 Inch 18 Millimeter
Outside Diameter	3.74 Inch 95 Millimeter
Bore Type	Cylindrical Bore
Configuration	Single Row
Bore Size	60 mm
Width	18 mm



LWB BEARING PRODUCTION CO., LTD.

Fillet Radius/Chamfer	1.1 mm
r1	0.5 mm
Snap Ring Width	2.5 mm
Snap Ring Outside Diameter	101.6 mm
D1 (max)	91.8 mm
a (max)	2.9 mm
b (min)	2.7 mm
Dynamic Load Rating	29,400 N
Static Load Rating	23,200 N
Limiting Speed - Grease	7,100 rpm
Limiting Speed - Oil	8,500 rpm
Factor fo	15.5
Radial Clearance	0.008 to 0.028 mm
da (min)	66 mm
Da (max)	89 mm
Dx (min)	103 mm
ra (max)	1 mm
Cy (max)	5 mm