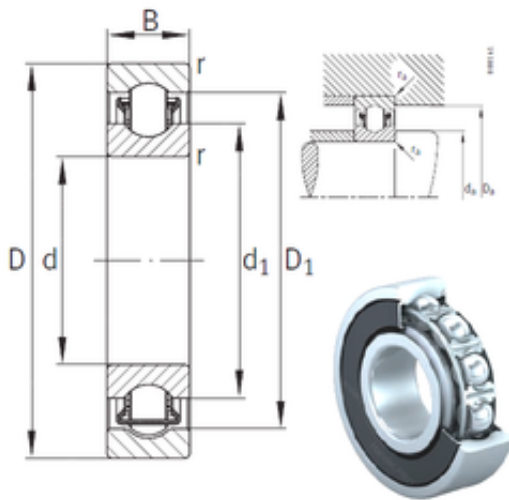




LWB BEARING PRODUCTION CO., LTD.



55 mm x 90 mm x 18 mm INA BXRE011-2HRS
needle roller bearings

Bearing No. BXRE011-2HRS

BXRE011-2HRS Bearing 2D drawings and 3D CAD models

Size	55x90x18 mm
Bore Diameter	55 mm
Outer Diameter	90 mm
Width	18 mm
d	55 mm
D	90 mm
B	18 mm
C	18 mm
d1	67,3 mm
r min.	1,1 mm
D1	79,2 mm
da min.	61 mm
Da max.	84 mm
ra max.	1 mm
Weight	0,414 Kg
Basic dynamic load rating (C)	42 kN
Basic static load rating (C0)	39 kN
Fatigue load limit (Pu)	1 970