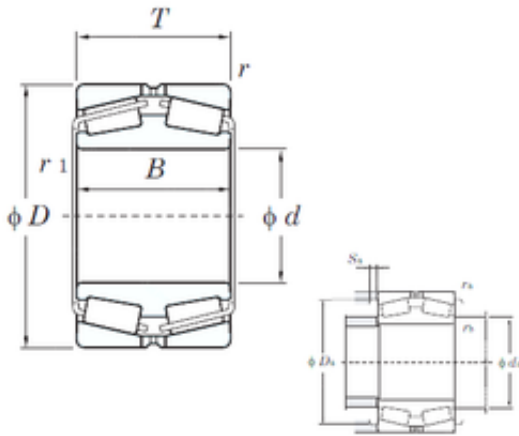




LWB BEARING PRODUCTION CO., LTD.

150 mm x 250 mm x 80 mm KOYO 45330 tapered roller bearings



Bearing No. 45330

45330 Bearing 2D drawings and 3D CAD models

Size	150x250x80 mm
Bore Diameter	150 mm
Outer Diameter	250 mm
Width	80 mm
d	150 mm
D	250 mm
T	80 mm
B	80 mm
r min.	2,5 mm
r1 min.	3 mm
da max	179 mm
Db min.	220 mm
ra max.	2 mm
rb max.	2,5 mm
Db max	238 mm
Weight	15,5 Kg
Basic dynamic load rating (C)	593 kN
Basic static load rating (C0)	955 kN
(Grease) Lubrication Speed	1100 r/min
(Oil) Lubrication Speed	1500 r/min
Calculation factor (e)	0,35
Calculation factor (Y0)	1,91
Bearing No.	45330
r(min)	2.5
r1(min)	3



LWB BEARING PRODUCTION CO., LTD.

Cr	684
C0r	955
Cu	59.8
Grease lub.	1100
Oil lub.	1500
da(max)	179
Da(max)	238
Da(min)	220
Sa(min)	4
ra(max)	2
rb(max)	2.5
e	0.35
Y2	1.95
Y3	2.90
Y0	1.91
(Refer.) Mass(kg)	15.5