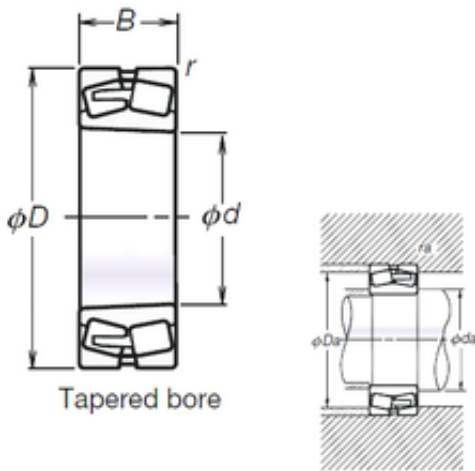




LWB BEARING PRODUCTION CO., LTD.



150 mm x 250 mm x 80 mm NSK
TL23130CAKE4 spherical roller bearings

Bearing No. TL23130CAKE4

Size	150x250x80 mm
Bore Diameter	150 mm
Outer Diameter	250 mm
Width	80 mm
d	150 mm
D	250 mm
B	80 mm
C	80 mm
r min.	2,1 mm
da min.	162 mm
Da min	238 mm
Da max.	218 mm
ra max.	2 mm
Weight	15,8 Kg
Basic dynamic load rating (C)	725 kN
Basic static load rating (C0)	1180 kN
(Grease) Lubrication Speed	1 100 r/min
(Oil) Lubrication Speed	1 400 r/min
Calculation factor (e)	0,3
Calculation factor (Y0)	2,2
Calculation factor (Y2)	3,4

TL23130CAKE4 Bearing 2D drawings and 3D CAD models