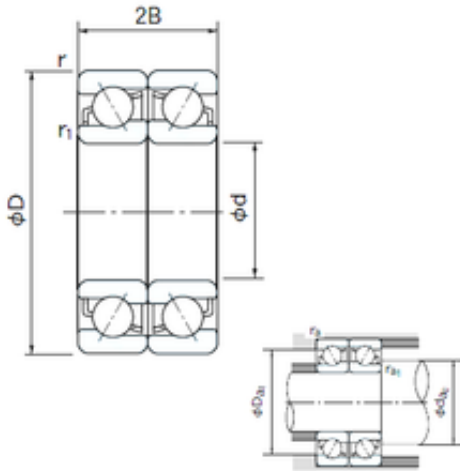




LWB BEARING PRODUCTION CO., LTD.



7222BDF Bearing 2D drawings and 3D CAD models

110 mm x 200 mm x 38 mm NACHI 7222BDF
angular contact ball bearings

Bearing No. 7222BDF

Size	110x200x38 mm
Bore Diameter	110 mm
Outer Diameter	200 mm
Width	38 mm
d	110 mm
D	200 mm
B	38 mm
C	38 mm
Angle (°)	40 °
a	46.1 mm
r min.	2.1 mm
r1 min.	1.1 mm
2B	76 mm
da min.	117 mm
Da max.	193 mm
ra max.	1 mm
Weight	4.62 Kg
Basic dynamic load rating (C)	259 kN
Basic static load rating (C0)	298 kN
(Grease) Lubrication Speed	2000 r/min
Bore Type	Cylindrical Bore
Enclosure	Open
Configuration	Duplex
Bore Size	110 mm
Outside Diameter	200 mm



LWB BEARING PRODUCTION CO., LTD.

Width	38 mm
Fillet Radius/Chamfer	2.1 mm
r1	1.1 mm
Dynamic Load Rating	259,000 N
Static Load Rating	298,000 N
Limiting Speed - Grease	2,000 rpm
Limiting Speed - Oil	2,800 rpm
da1 (min)	122 mm
da2 (min)	117 mm
Da1 (max)	188 mm
Da2 (max)	193 mm
ra (max)	2 mm
ra1 (max)	1 mm