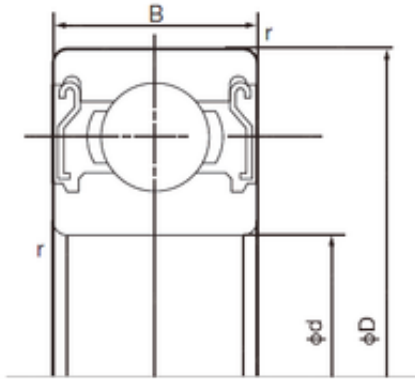




LWB BEARING PRODUCTION CO., LTD.

110 mm x 200 mm x 38 mm NACHI 6222ZZ
deep groove ball bearings



Bearing No. 6222ZZ

6222ZZ Bearing 2D drawings and 3D CAD models

Size	110x200x38 mm
Bore Diameter	110 mm
Outer Diameter	200 mm
Width	38 mm
d	110 mm
D	200 mm
B	38 mm
C	38 mm
r min.	2.1 mm
da min.	122 mm
Da max.	188 mm
ra max.	2.0 mm
Weight	4.36 Kg
Basic dynamic load rating (C)	144 kN
Basic static load rating (C0)	117 kN
Category	Single Row Ball Bearings
Inventory	0.0
Manufacturer Name	NACHI
Minimum Buy Quantity	N/A
Weight / Kilogram	0
Product Group	B00308
Enclosure	2 Metal Shields
Precision Class	ABEC 1 ISO P0
Maximum Capacity / Filling Slot	No



LWB BEARING PRODUCTION CO., LTD.

Rolling Element	Ball Bearing
Snap Ring	No
Internal Special Features	No
Cage Material	Steel
Internal Clearance	C0-Medium
Inch - Metric	Metric
Long Description	110MM Bore; 200MM Outside Diameter; 38MM Outer Race Width; 2 Metal Shields; Ball Bearing; ABEC 1 ISO P0; No Filling Slot; No Snap Ring; No Internal Special Features; C0-Medium Internal Clearance; St
Other Features	Deep Groove
Category	Single Row Ball Bearing
UNSPSC	31171504
Harmonized Tariff Code	8482.10.50.68
Noun	Bearing
Keyword String	Ball
Manufacturer URL	http://www.nachiamerica.com
Outer Race Width	1.496 Inch 38 Millimeter
Bore	4.331 Inch 110 Millimeter
Inner Race Width	0 Inch 0 Millimeter
Outside Diameter	7.874 Inch 200 Millimeter
Bore Type	Cylindrical Bore
Configuration	Single Row
Bore Size	110 mm
Width	38 mm
Fillet Radius/Chamfer	2.1 mm
Dynamic Load Rating	144,000 N
Static Load Rating	117,000 N
Limiting Speed - Grease	3,200 rpm



LWB BEARING PRODUCTION CO., LTD.

Factor fo	14.3
Radial Clearance	0.015 to 0.041 mm
da (min)	122 mm
Da (max)	188 mm
ra (max)	2 mm