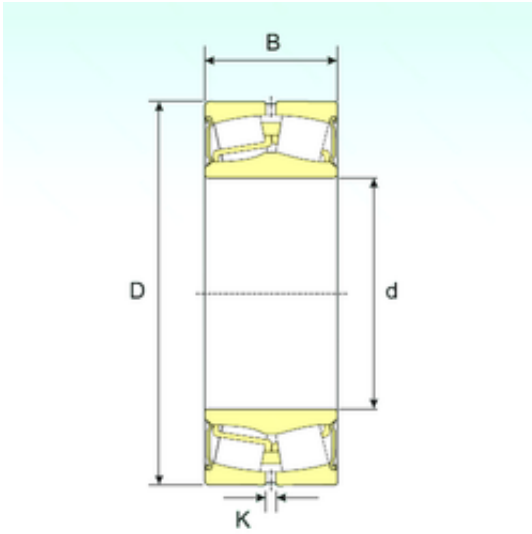




LWB BEARING PRODUCTION CO., LTD.



23122-2RS Bearing 2D drawings and 3D CAD models

110 mm x 180 mm x 56 mm ISB 23122-2RS
spherical roller bearings

Bearing No. 23122-2RS

Size	110x180x56 mm
Bore Diameter	110 mm
Outer Diameter	180 mm
Width	56 mm
d	110 mm
D	180 mm
B	56 mm
C	56 mm
K	4,5 mm
Weight	5,55 Kg
Basic dynamic load rating (C)	421,4 kN
Basic static load rating (C0)	573,3 kN